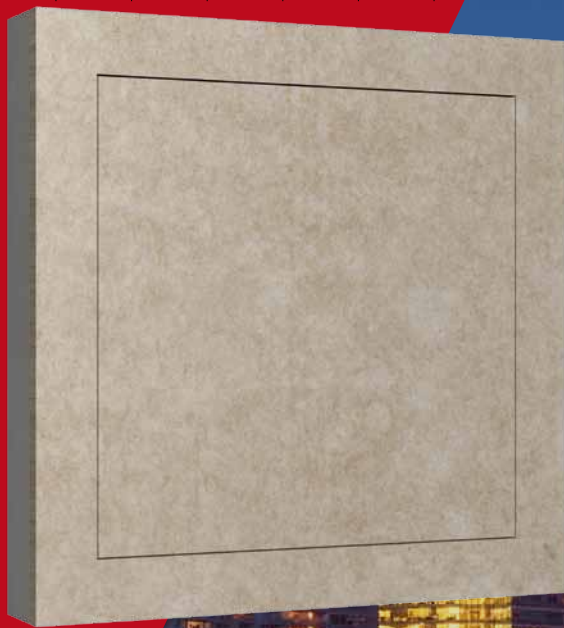




Fire protection systems

FIREREV access panels

Fire protection in drywalling



www.airfiretech.at

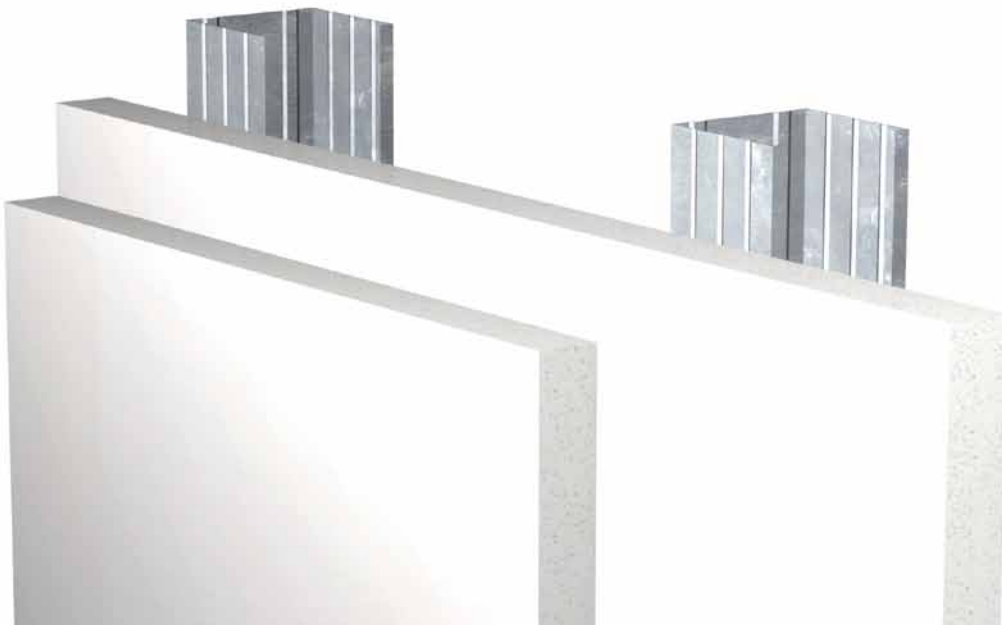
Fire protection knows no compromises

Our products

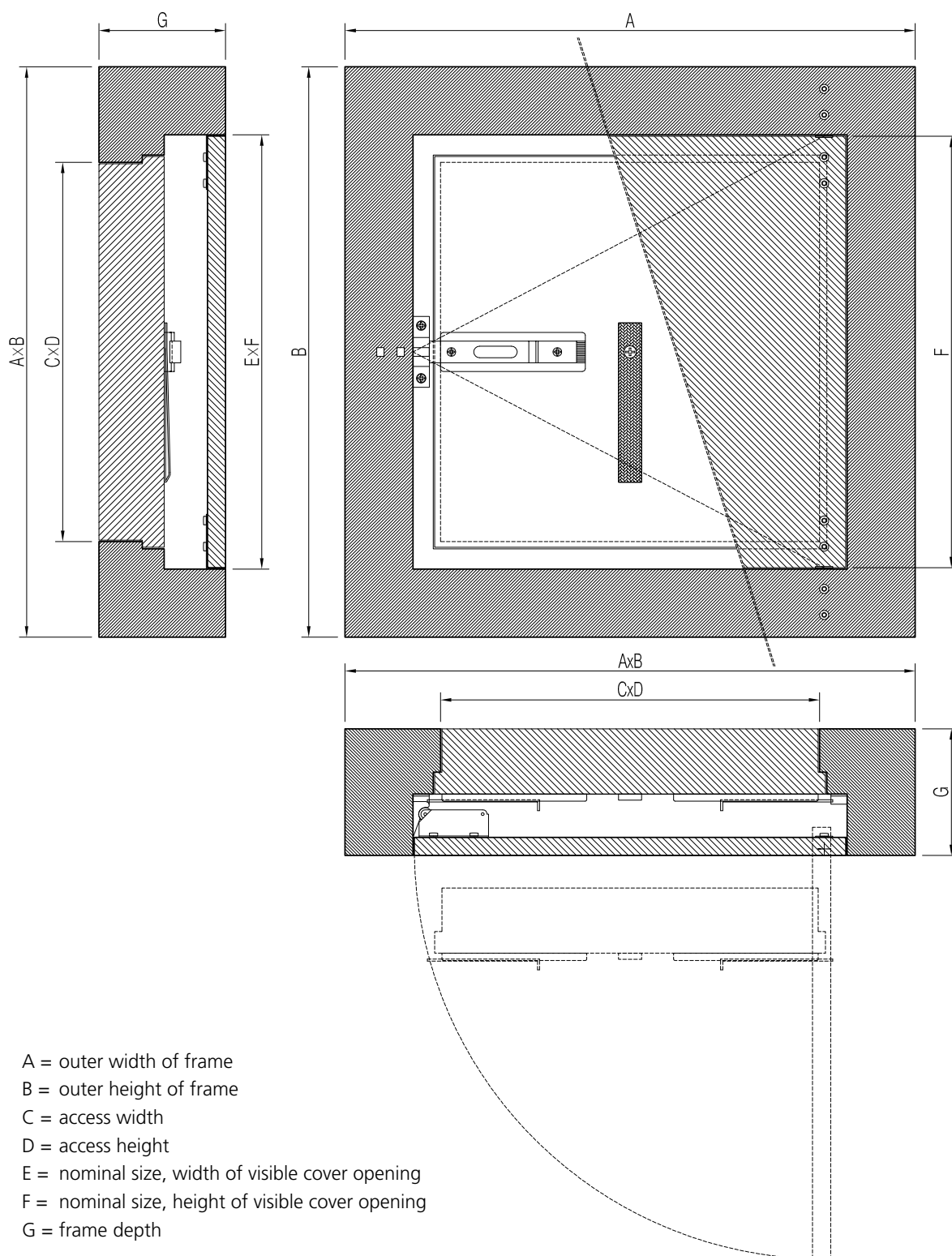
Our products are designed for preventive fire protection in buildings. They help to secure property and save lives. The highest level of material quality and workmanship is a matter of course for us. In addition to this, our customers can also rely on our products to provide system-independent compatibility, simple and fast installation and compliance with test certificates. Benefit from the power of innovation at our in-house development and the swift implementation at the in-house production facility in Bad Vöslau in Lower Austria. Throughout Austria, our consultants can advise you on anything from planning to installation training at the construction site. They know the right alternative for any of your requirements. But they don't know any compromises.



“With the access panels, we are more secure and relaxed than ever before!”



Design drawing



Contents

WALL



FIREREV Duo GPS
Visible cover made of plasterboard with snap closure and hinges
page 8



FIREREV Duo VKS
Visible cover made of gypsum fibreboard with square-head bolt lock and hinges
page 8



FIREREV Basic GP
Visible cover made of metal with snap closure and plasterboard surface
page 9



FIREREV Basic VKW
Visible cover made of metal with square-head bolt lock, white powder coated (RAL 9016)
page 9



FIREREV Duo VKA
Visible cover made of gypsum fibreboard with square-head bolt lock, removable
page 10



FIREREV Basic FLI
With tile carrier plate made of galvanised steel and height-adjustable magnetic holder
page 10



FIREREV Basic SW/SN
With bolted-on metal cover plate, white powder coated (RAL 9016) or stainless steel
page 11

CEILING



FIREREV Duo DE/GPS
Visible cover made of plasterboard with snap closure and hinges
page 12



FIREREV Duo DE/VKA
Visible cover made of gypsum fibreboard with square-head bolt lock, removable
page 12



FIREREV Basic DE/GP
Visible cover made of metal with snap closure and plasterboard surface
page 13



FIREREV Basic DE/VKW
Visible cover made of metal with square-head bolt lock, white powder coated (RAL 9016)
page 13



FIREREV special versions
Two opening panels, door in door, for solid ceilings
page 14



PREMIO WC element
Prefabricated partitioning module for WC frames, for shaft walls with cladding on one side E190
page 15



PREMIO installation housings
Prefabricated fire protection installation housings for sockets and flush-mounted spotlights
page 15

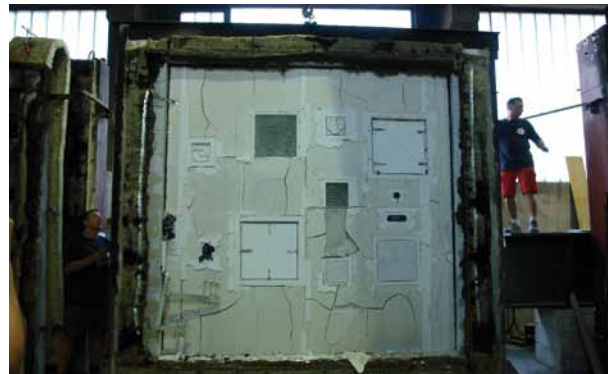
Fire testing

FIREREV access panels stand for maximum safety and the greatest possible living comfort, ease of operation and visual requirements. The products are easy to install in compliance with test certificates and can be used universally in shaft walls with cladding on one side, in solid walls or as pass-through hatches in partitioning walls with cladding on both sides. They are available with different visible covers made of plasterboard or metal, with snap closures or different lock types. This allows individual requirements to be addressed with the maximum possible size of 120x80 cm in walls and 85x85 cm in ceilings.

Fire test on a shaft wall structure



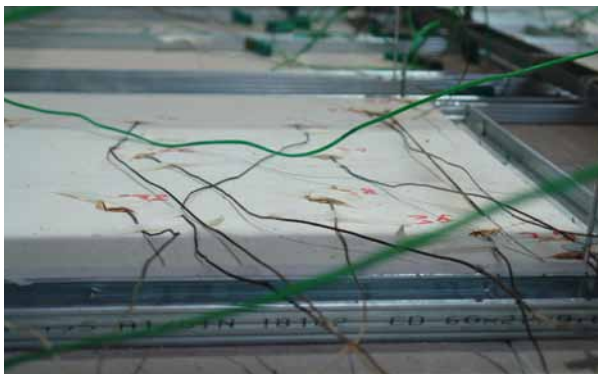
Fire load on shaft side (i→o)



Fire load on room side (o→i)

FIREREV access panels are tested for fire resistance from both sides as per EN 1364-1 and EN1634-1 in EI90, EI60 and EI30 shaft walls as well as in EI120 solid walls, tested for smoke control as per EN 1634-3 and are classified as per EN13501-2.

Fire test on a suspended ceiling structure



Fire load on underside of ceiling (b→a)



Fire load on top of ceiling (a→b)

FIREREV access panels for ceilings are tested for fire resistance as per EN 1364-2 in EI90 and EI30 suspended ceiling structures and in EI120 solid ceilings and are classified as per EN 13501-2.

“Safe, flexible and easy to install.”



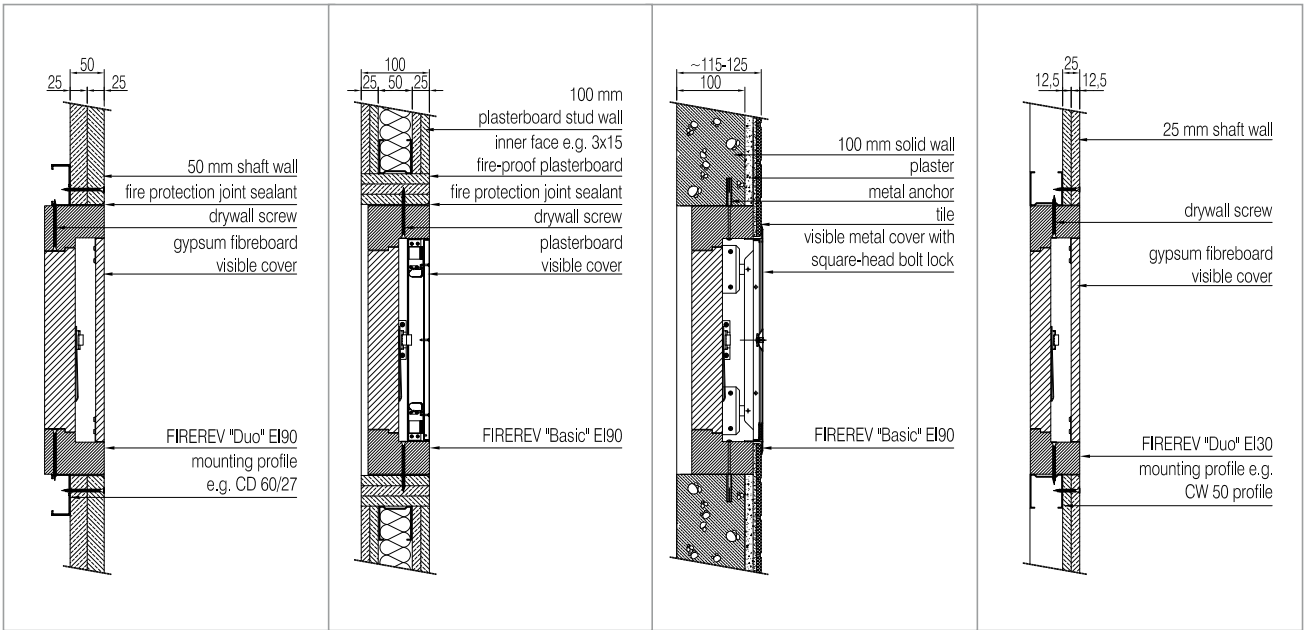
Fire resistance testing as per European standards including concealed WC cistern installed in a shaft wall

The PREMO WC element is tested for fire resistance and classified in EI90 shaft walls from both sides.



PREMO socket and spotlight housings are tested and classified in EI90 and EI30 shaft walls and suspended ceiling structures and in EI90 plasterboard partitioning walls.

WALL



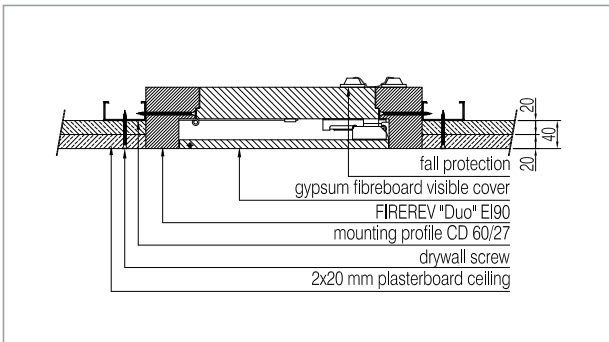
E190 fire-proof plasterboard shaft wall 2x25 mm (or 2x20 / 3x15 mm)

E190 plasterboard stud wall ≥ 100 mm

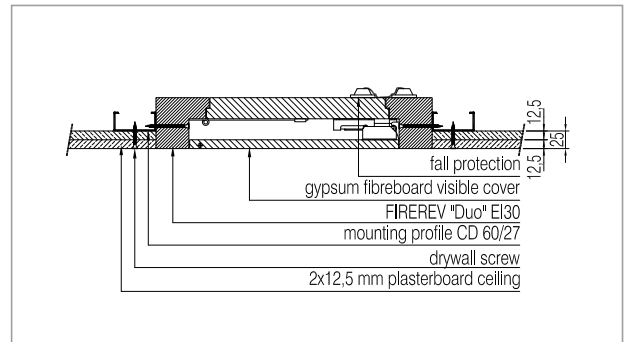
E190 solid wall ≥ 100 mm

E130 fire-proof plasterboard shaft wall 2x12.5 mm

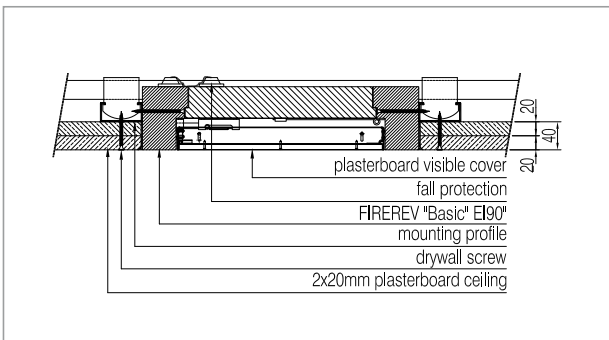
CEILING



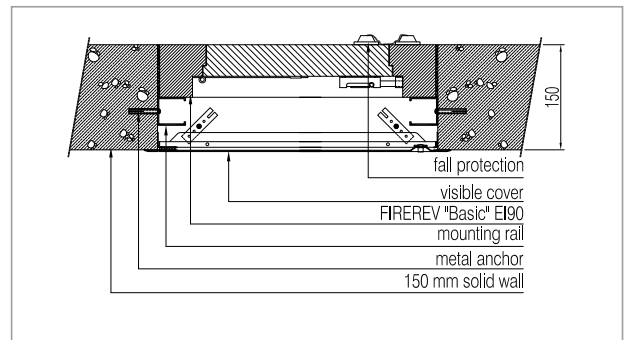
E190 fire-proof plasterboard ceiling 2x20 mm



E130 fire-proof plasterboard ceiling 2x12.5 mm



E190 fire-proof plasterboard ceiling 2x20 mm



E190/E1120 solid ceiling ≥ 150 mm

FIREREV Duo GPS

Visible cover made of plasterboard with snap closure and hinges



Standard sizes

from **200x200** mm to **600x600** mm (WxH)

Areas of application

- Shaft wall EI90** cladding 2x20/3x15/2x25 mm
- Plasterboard stud wall EI90** thickness ≥ 100 mm
- Solid wall EI90/EI120** thickness ≥ 100 mm
- Shaft wall EI60** cladding 2x15 mm
- Shaft wall EI30** cladding 2x12.5 mm

Note

- Special sizes for EI90/EI120 to 600x800 mm
- Short delivery time for all special sizes
- Fire resistance and smoke control tested from room side and shaft side
- Less effort for filling and painting
- Areas of application must be checked in the respective national approvals!

8

FIREREV Duo VKS

Visible cover made of gypsum fibreboard with square-head bolt lock and hinges



Standard sizes

from **200x200** mm to **600x600** mm (WxH)

Areas of application

- Shaft wall EI90** cladding 2x20/3x15/2x25 mm
- Plasterboard stud wall EI90** thickness ≥ 100 mm
- Solid wall EI90/EI120** thickness ≥ 100 mm
- Shaft wall EI60** cladding 2x15 mm
- Shaft wall EI30** cladding 2x12.5 mm

Note

- Special sizes for EI90/EI120 to 600x800 mm
- Short delivery time for all special sizes
- Fire resistance and smoke control tested from room side and shaft side
- Less effort for filling and painting
- Areas of application must be checked in the respective national approvals!

FIREREV Basic GP

Visible cover made of metal with snap closure and plasterboard surface



Standard sizes

from **200x200** mm to **600x600** mm (WxH)

Areas of application

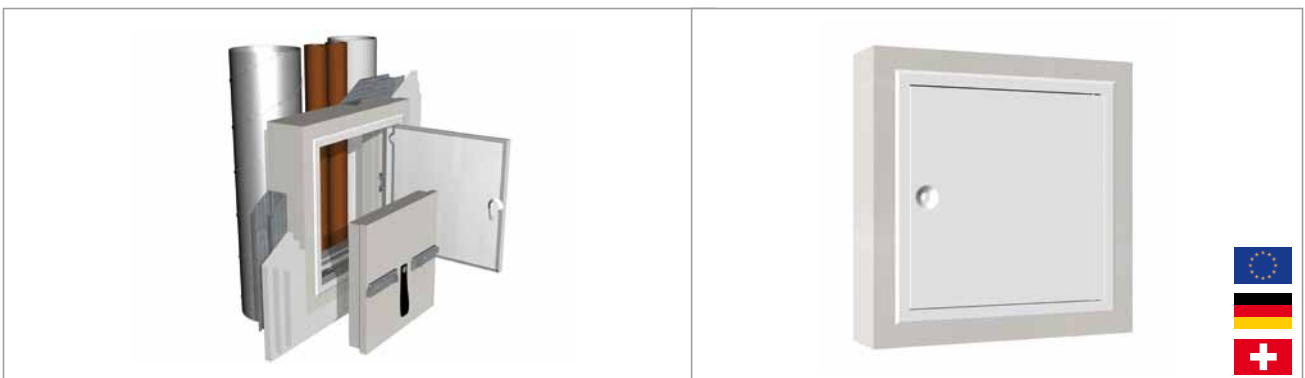
Shaft wall EI90	cladding 2x20/3x15/2x25 mm
Plasterboard stud wall EI90	thickness ≥ 100 mm
Solid wall EI90/EI120	thickness ≥ 100 mm
Shaft wall EI60	cladding 2x15 mm
Shaft wall EI30	cladding 2x12.5 mm

Note

- Special sizes for EI90/EI120 to 800x800 mm or 600x1000 mm
- Fire resistance and smoke control tested from room side and shaft side
- Areas of application must be checked in the respective national approvals!

FIREREV Basic VKW

Visible cover made of metal with square-head bolt lock, white powder coated (RAL 9016)



Standard sizes

from **200x200** mm to **600x600** mm (WxH)

Areas of application

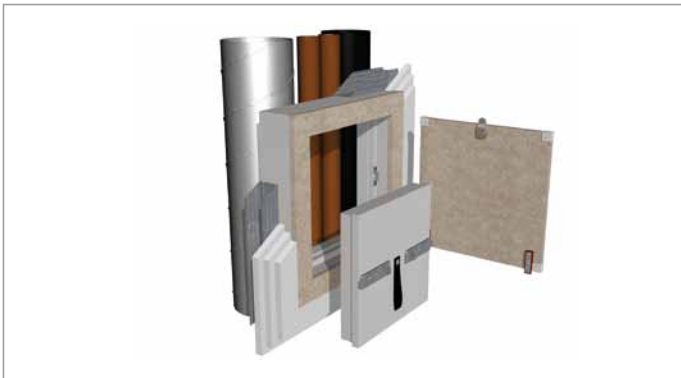
Shaft wall EI90	cladding 2x20/3x15/2x25 mm
Plasterboard stud wall EI90	thickness ≥ 100 mm
Solid wall EI90/EI120	thickness ≥ 100 mm
Shaft wall EI60	cladding 2x15 mm
Shaft wall EI30	cladding 2x12.5 mm

Note

- Special sizes for EI90/EI120 up to 800x1200 mm or 1200x800 mm
- Fire resistance and smoke control tested from room side and shaft side
- Areas of application must be checked in the respective national approvals!

FIREREV Duo VKA

Visible cover made of gypsum fibreboard with square-head bolt lock, removable



Standard sizes

from **200x200** mm to **600x600** mm (WxH)

Areas of application

- Shaft wall EI90** cladding 2x20/3x15/2x25 mm
- Plasterboard stud wall EI90** thickness ≥ 100 mm
- Solid wall EI90/EI120** thickness ≥ 100 mm
- Shaft wall EI60** cladding 2x15 mm
- Shaft wall EI30** cladding 2x12.5 mm

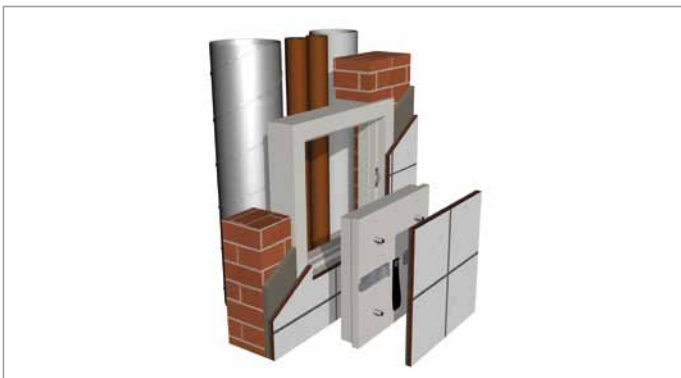
Note

- Special sizes for EI90/EI120 up to 800x1200 mm or 1200x800 mm
- Short delivery time for all special sizes
- Fire resistance and smoke control tested from room side and shaft side
- Less effort for filling and painting
- Areas of application must be checked in the respective national approvals!

10

FIREREV Basic FLI

With tile carrier plate made of galvanised steel and height-adjustable magnetic holder



Standard sizes

from **200x200** mm to **400x400** mm (WxH)

Areas of application

- Shaft wall EI90** cladding 2x20/3x15/2x25 mm
- Plasterboard stud wall EI90** thickness ≥ 100 mm
- Solid wall EI90/EI120** thickness ≥ 100 mm
- Shaft wall EI60** cladding 2x15 mm
- Shaft wall EI30** cladding 2x12.5 mm

Note

- Fire resistance and smoke control tested from room side and shaft side
- Areas of application must be checked in the respective national approvals!

FIREREV Basic SW/SN

With bolted-on metal cover plate,
white powder coated (RAL 9016) or stainless steel



Standard sizes

from **200x200** mm to **600x600** mm (WxH)

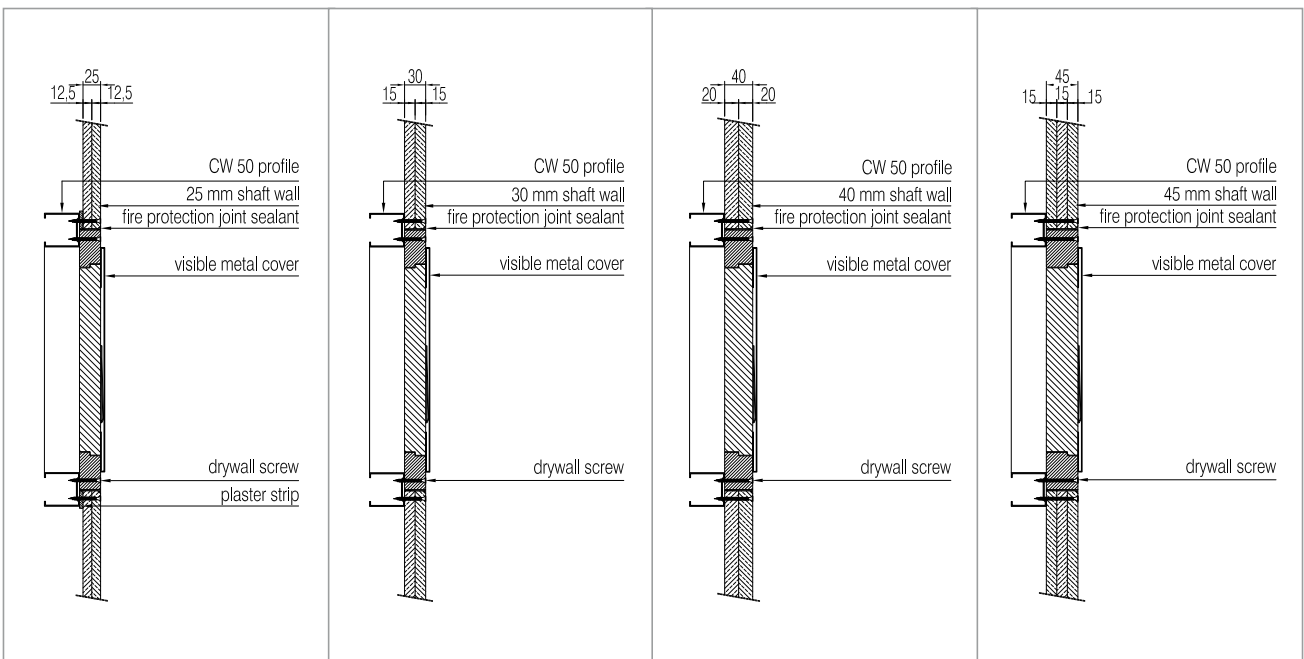
Areas of application

- Shaft wall EI90** cladding 2x20/3x15/2x25 mm
- Shaft wall EI60** cladding 2x15 mm
- Shaft wall EI30** cladding 2x12.5 mm

Note

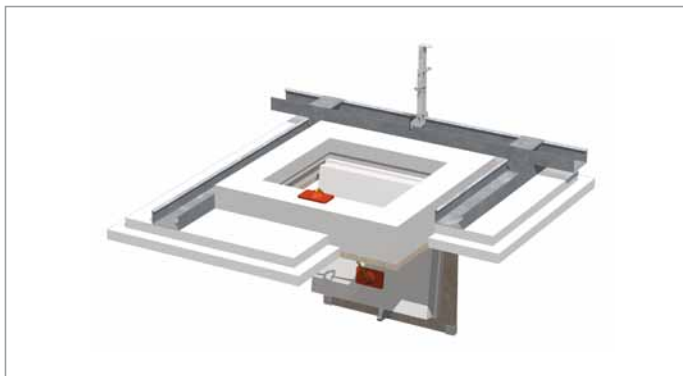
- Standard sizes EI60 for 200x200 mm to 400x400 mm
- Installation depth coordinated with shaft wall thickness (30/40/45/50 mm)
- Fire resistance and smoke control tested from room side and shaft side
- Areas of application must be checked in the respective national approvals!

Installation of FIREREV Basic SW/SN



FIREREV Duo DE/GPS

Visible cover made of plasterboard with snap closure and hinges



Standard sizes

from **200x200** mm to **600x600** mm (WxH)

Areas of application

Suspended fire-proof plasterboard ceiling EI90
cladding 2x20 mm

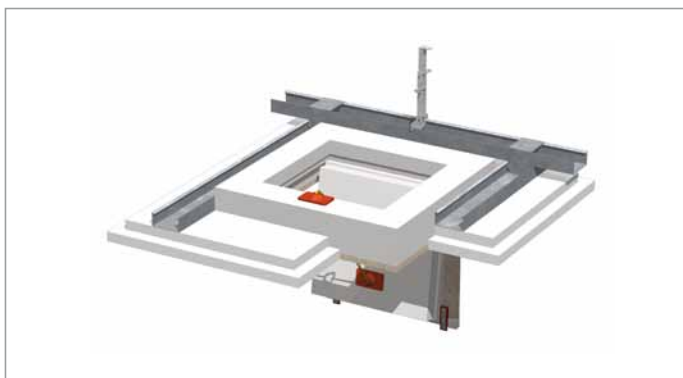
Suspended fire-proof plasterboard ceiling EI30
cladding 2x12.5 mm

Note

- Fire resistance tested from both sides up to 600x600 mm
- Short delivery time for all special sizes
- Less effort for filling and painting
- Areas of application must be checked in the respective national approvals!

FIREREV Duo DE/VKA

Visible cover made of gypsum fibreboard with square-head bolt lock, removable



Standard sizes

from **200x200** mm to **600x600** mm (WxH)

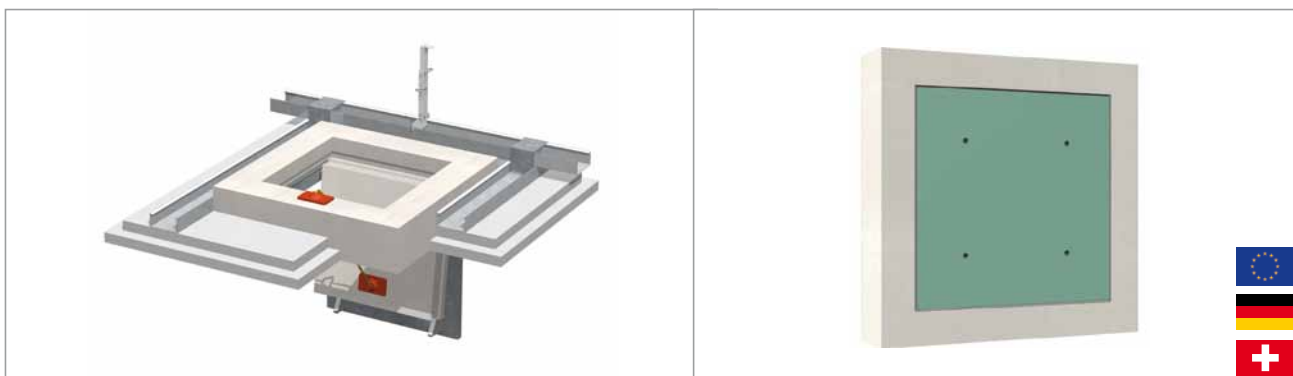
Areas of application

Suspended fire-proof plasterboard ceiling EI90
cladding 2x20 mm

Suspended fire-proof plasterboard ceiling EI30
cladding 2x12.5 mm

Note

- Special sizes up to 850x850 mm
- Fire resistance tested for EI90 from both sides up to 600x600 mm, from the top surface of the ceiling up to 850x850 mm
- Fire resistance for EI30 tested from both sides up to 850x850 mm
- Short delivery time for all special sizes
- Less effort for filling and painting
- Areas of application must be checked in the respective national approvals!

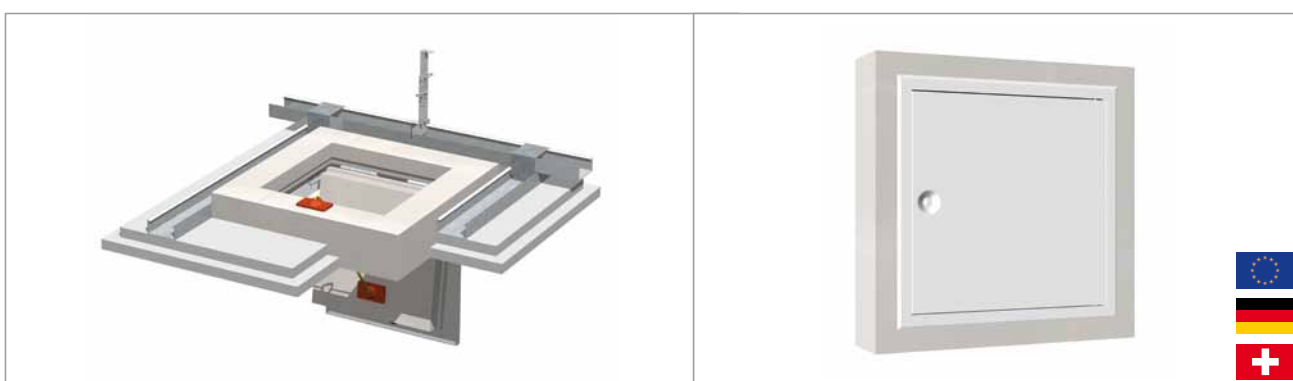
FIREREV Basic DE/GPVisible cover made of metal
with snap closure and plasterboard surface**Standard sizes**from **200x200** mm to **600x600** mm (WxH)**Areas of application**

Suspended fire-proof plasterboard ceiling EI90	cladding 2x20 mm
Solid ceiling EI90/EI120	thickness \geq 150 mm
Suspended fire-proof plasterboard ceiling EI30	cladding 2x12.5 mm

Note

- Special sizes up to 850x850 mm
- Fire resistance tested for EI90 from both sides up to 600x600 mm, from the top surface of the ceiling up to 850x850 mm
- Fire resistance for EI30 tested from both sides up to 850x850 mm
- Areas of application must be checked in the respective national approvals!

13

FIREREV Basic DE/VKWVisible cover made of metal with square-head bolt lock,
white powder coated (RAL 9016)**Standard sizes**from **200x200** mm to **600x600** mm (WxH)**Areas of application**

Suspended fire-proof plasterboard ceiling EI90	cladding 2x20 mm
Solid ceiling EI90/EI120	thickness \geq 150 mm
Suspended fire-proof plasterboard ceiling EI30	cladding 2x12.5 mm

Note

- Special sizes up to 850x850 mm
- Fire resistance tested for EI90 from both sides up to 600x600 mm, from the top surface of the ceiling up to 850x850 mm
- Fire resistance for EI30 tested from both sides up to 850x850 mm
- Fire resistance for EI90/EI120 in solid ceilings tested from underside of ceiling up to 600x600 mm
- Areas of application must be checked in the respective national approvals!

FIREREV VKS

Two opening panels



Sizes

On request

Areas of application

Shaft wall EI90	cladding 2x25 mm
Plasterboard stud wall EI90	thickness \geq 100 mm
Solid wall EI90/EI120	thickness \geq 100 mm

Note

- Visible cover made of gypsum fibreboard with square-head bolt lock and hinges (VKS)

FIREREV Basic/Duo

Door in door



Sizes

Folding door in door, opening up to **300x300** mm (WxH)

Areas of application

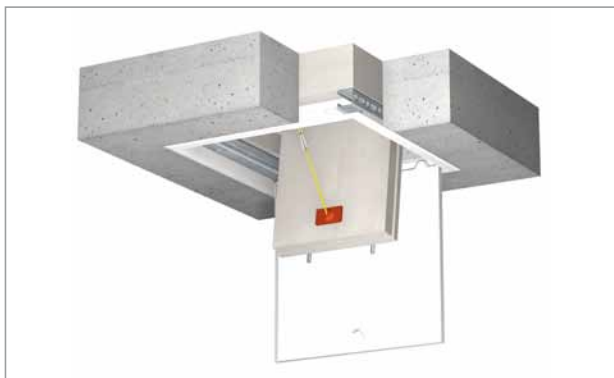
Shaft wall EI90	cladding 2x20/3x15/2x25 mm
Plasterboard stud wall EI90	thickness \geq 100 mm
Solid wall EI90/EI120	thickness \geq 100 mm

Note

- For all types with FIREREV access panels

FIREREV DE/VKW

Application for solid ceilings



Sizes

from **200x200** mm to **600x600** mm (WxH)

Areas of application

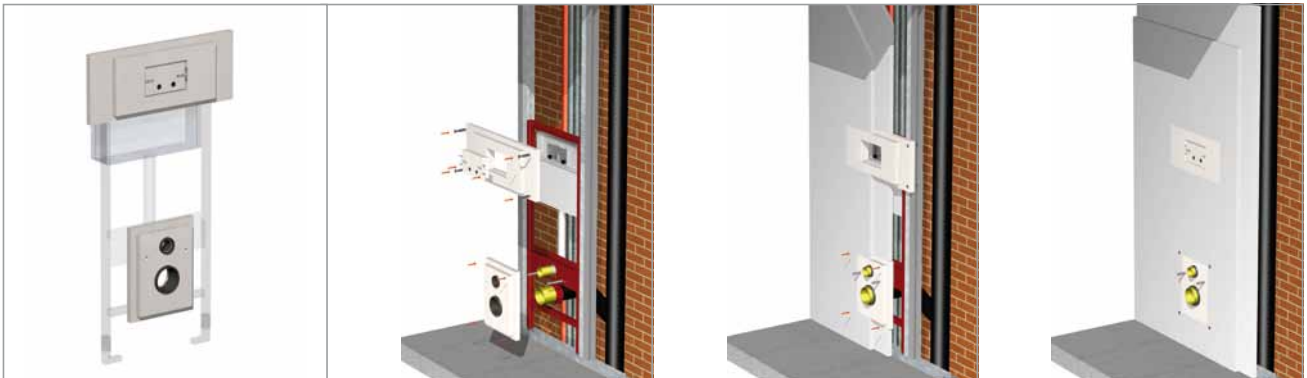
Solid ceiling EI90/EI120	thickness \geq 150 mm
---------------------------------	-------------------------

Note

- Fire resistance for EI90/EI120 in solid ceilings tested from underside of ceiling up to 600x600 mm
- Positioning and fixing with steel profiles (installation details see page 7)

PREMO WC ELEMENT

For shaft walls with cladding on one side



The PREMOWC ELEMENT consists of a fire protection access opening with stepped installation frame for partitioning of and access to the cistern as well as a pipe partitioning module for partitioning the wastewater and flushing pipes.

EI90 classification as per EN 13501-2 for installation in plasterboard shaft walls with cladding on one side with 2x20 mm, 2x25 mm or 3x15 mm cladding thickness. The stepping of the WC element is adapted to the thickness of the plasterboards.

PREMO ED

Installation housing for socket partitionings



EI30 and EI90 classified as per EN 13501-2 for installation in plasterboard shaft walls, stud walls and suspended ceiling structures.

PREMO ES

Installation housing for luminaire partitionings



EI30 and EI90 classified as per EN 13501-2 for installation in plasterboard shaft walls, stud walls and suspended ceiling structures.



Fire protection systems

1130 Vienna
Austria
Stranzenberggasse 7b/1/2
T: +43 1 982 01 74-0
F: +43 1 982 01 74-930
E: office@airfiretech.at
I: www.airfiretech.at

Production plant:
Dr. Mayer-Gunthofstraße
2540 Bad Vöslau
Austria

*“Our employees provide
advice from planning
to installation
throughout Austria.”*

